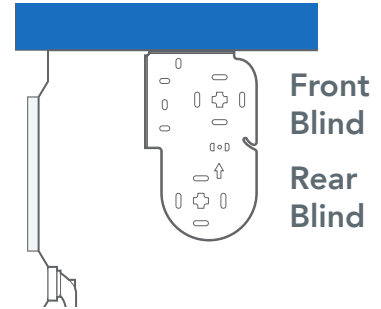


If you upgraded to our Twist2Fit system, skip to page 3.

Before you begin

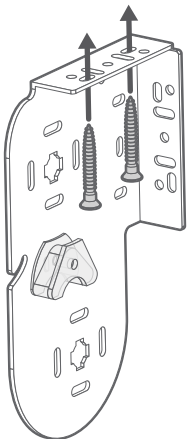
The front roller blind is the highest and closest to you, so make sure that when marking the place where you will place the brackets, the rounded part of the bracket is pointing downwards.



Fitting the brackets

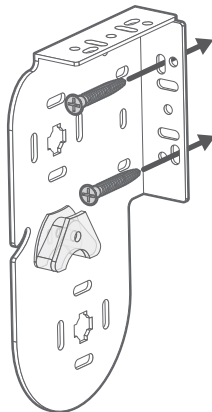
1

The brackets offer three methods of installation:



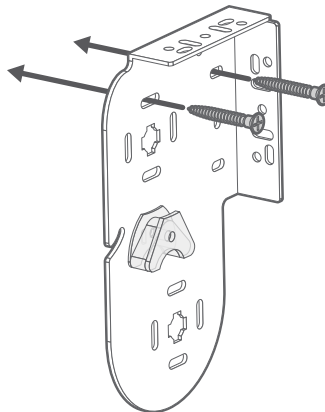
Top-Fixing

Where the brackets are screwed into the lintel (or 'ceiling' of the recess)



Face-Fixing

Where the brackets screw into a facing surface (a wall or window frame)

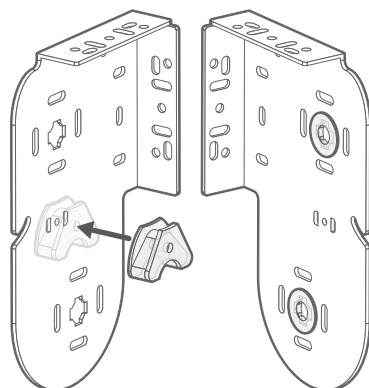


Side-Fixing

Where the brackets are screwed into the side walls of the recess

Top Tip

Top-fixing or face-fixing are recommended for most installations, whereas **side-fixing is only recommended if the width you gave us was taken right at the top of the recess.**

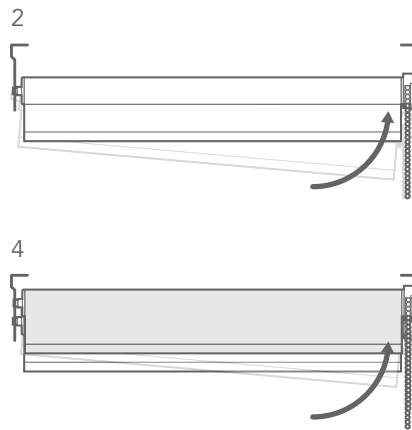
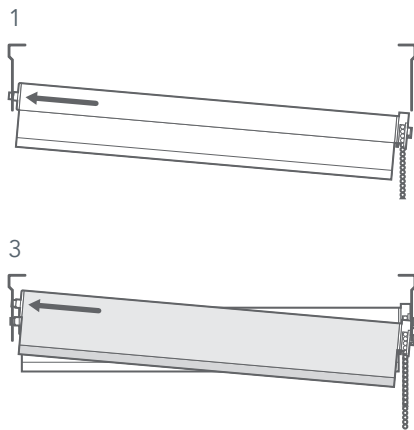
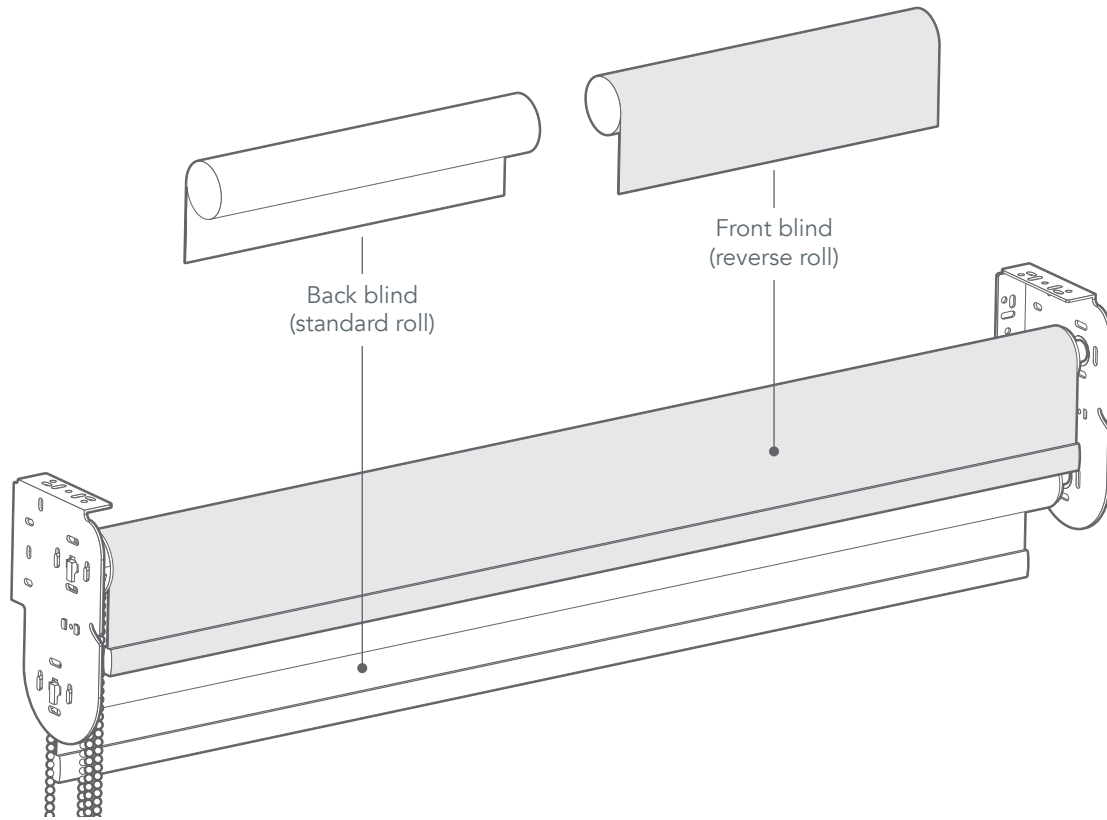


Control Side

On the control side, clip the chain runner attachment into the slot in the centre of the bracket (not required for SmartView Blinds). On the opposite side, clip the circular tabs into the cross sections of the bracket.

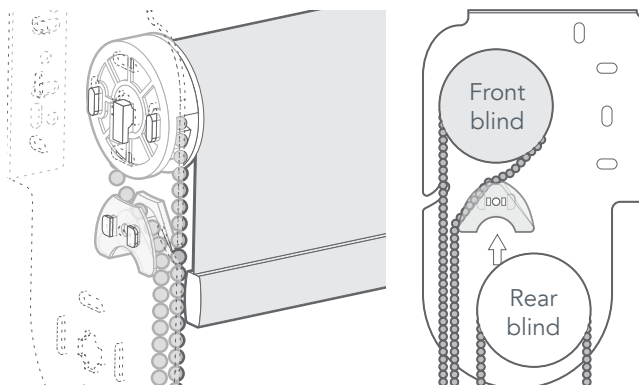
Fitting a standard or SmartView Double Roller Blind

2



Install the rear blind first. Begin by placing the spring-loaded pin into the lower cross-shaped hole on the bracket. Push the blind toward the bracket so the spring-loaded pin depresses. Keeping the pin depressed, lift the sidewinder end of the blind upwards so the blind is level and the chain is hanging directly down from the bottom of the sidewinder and slot the pegs of the control into the cross section of the bracket.

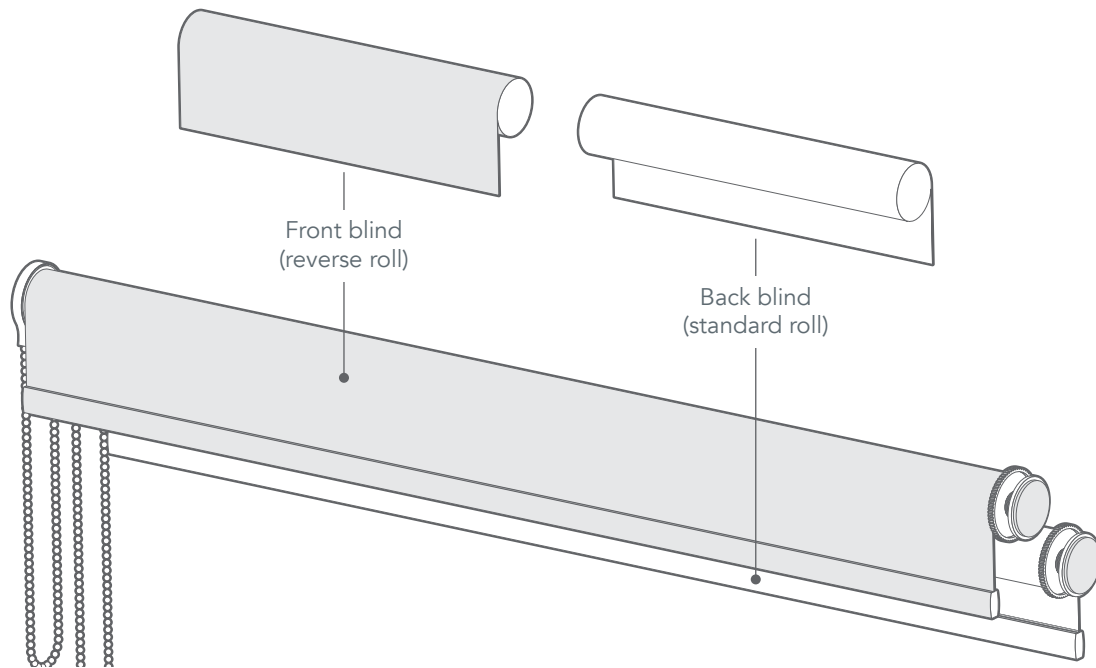
Repeat the process for the front blind, placing the pin into the cross-shaped hole on the bracket and lifting the sidewinder side up to slot into the cross section.



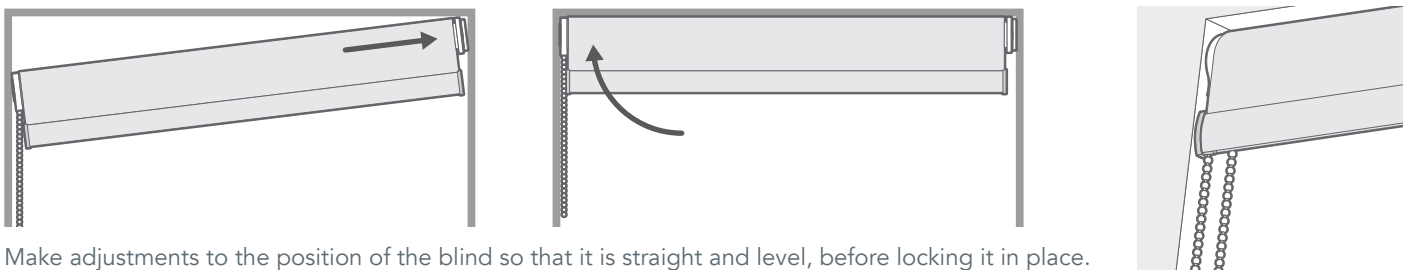
(Not applicable for SmartView Blinds)

Take the chain for the top (front) blind and drape the back part of the chain over the chain runner so that the chain sits forward, preventing it from tangling with the other blind's chain.

Fitting a Double Twist2Fit Roller Blind

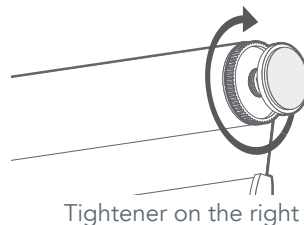
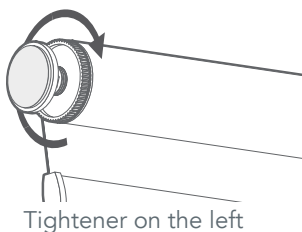


Starting with the blackout (front) blind, insert the blind into the recess at an angle and push the tightener against the wall. Lift the control end of the blind until level and release pressure, the blind will hold itself in place. The front blind can be fitted close to the front of the recess, right at the top.



Make adjustments to the position of the blind so that it is straight and level, before locking it in place.

For smaller blinds:



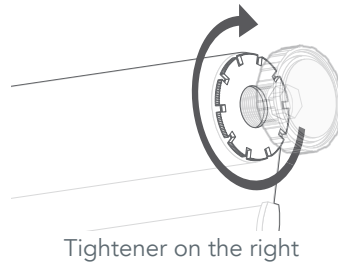
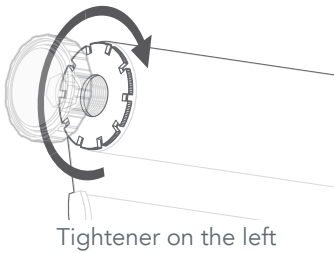
Hold the blind securely in place and turn the tightening wheel to tighten the blind in place.

If the tightener is on the left side of the blind turn it towards you. If it's on the right, turn it away from you.

Top Tip

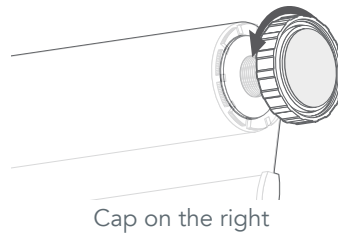
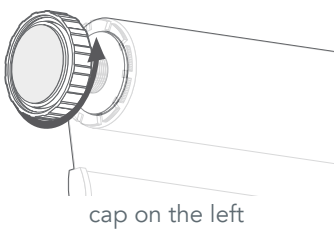
Make sure that you tighten the wheel as much as you possibly can so that the blind remains secure and does not slip. If you find that the 'foot' of the mechanism that presses against the wall is spinning as you try to tighten, take the blind out of the window, tighten it a little, then push it back into place and try again. However, avoid over-tightening, as it could lead to breakage.

For larger blinds:



Hold the blind securely in place and turn the tightening wheel to tighten the blind in place.

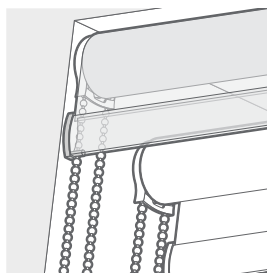
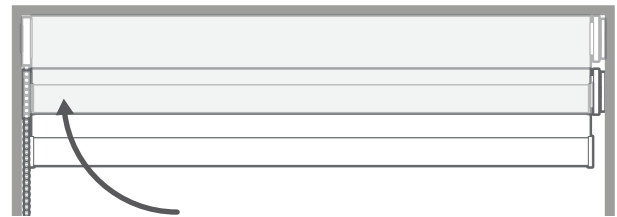
If the tightener is on the left side of the blind turn it towards you. If it's on the right, turn it away from you.



Once the blind is secured in place, turn the end cap until it locks against the tightening wheel. This will lock the tightening wheel in place.

If the cap is on the left side of the blind turn it away from you. If it's on the right, turn it towards you.

Next, fit the sheer blind at the back. The process is exactly the same as for the front blind.



For the rear blind, we recommend installing the blind 10mm below the front blind and 10-15mm from the window, depending on the depth of the recess.

Child Safety

Not applicable for SmartView Double Roller Blinds



Young children have died by wrapping loose curtain and blind cords or chains around their necks.

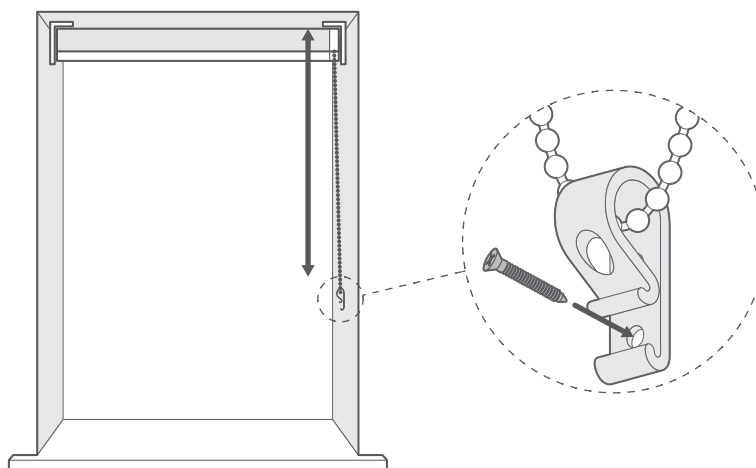


Secure cords or chains with cord guides or keep them out of reach by winding them around a cleat.

Move cots and furniture away from window covering cords or chains.

Do not remove this label.

WARNING: To avoid creating a possible strangulation hazard for children, the corded internal window covering must be installed in such a way that a loose cord cannot form a loop 220mm or longer at a height of less than 1600mm above floor level.

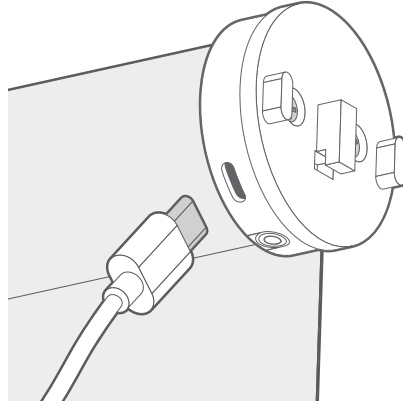


The cord retaining device must be installed at the maximum distance possible from the control mechanism to prevent looped cords from becoming slack.

Place the retaining device on the wall and mark the position of the screw hole(s) with a pencil.

Attach the retaining device to the wall using the fixings provided.

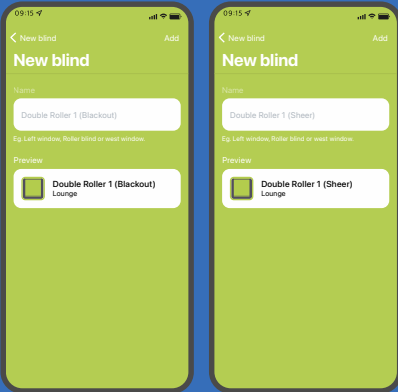
Download the SmartView App
Only applicable for SmartView Double Roller Blinds



Once your blinds are installed we recommend plugging in the motor to allow them to fully charge before use. Plug the charging cable (included) into the motor charging port and allow to charge until the LED on the charger plug turns green.



On the front of the swing tag that comes with each blind, you'll find a handy QR code you can scan with your phone. Scan this to download the SmartView app - you'll be setting up your blinds in moments!



Top Tip

When scanning your blinds into the app, each blind from a pair will be scanned separately.

You may find it helpful to name your blinds in such a way that it's obvious which blinds are part of which pair.